



NAUTEK
TACTICAL ELECTRONICS
SC200
Datasheet



Main characteristics:

Display

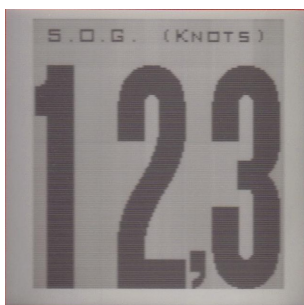
Display of the data concerning the boat's performances on a graphical LCD :

- 1 field of data, 40 mm max height.
- 2 fields of data, half size of the screen each.
- 2 fields of data 2/3-1/3, makes 25mm and 15 mm height.

Data to display :

- Speedo : Speed Over Ground - 0,1 knot resolution.
This data can be damped to help to limit the influence of waves.
- Compass : Course Over Ground, 1° resolution.
This data can be damped and also corrected with the magnetic declination value.

- Synchronisable race timer and chrono.
- Tactical compass based on COG calculation, tacking angle and True Wind Direction. Numerical and graphical display
- TUD (True Upwind Direction) in degrees.
- VMG Projected Velocity of the boat on the TUD.
- VTD Velocity to a buoy set as waypoint to boat.
- Position and misc information.
- DTSL : Distance To the Start Line. Distance between the SC200 and its projected point over the start line, data displayed in meters, resolution 3m.
- Bearing of the start line.
- Graphical display on the 16 last recorded speed.
- Stats : Max speed, best 10 secondes run, navigated distance and time
- Bearing, bearing error and distance to the next waypoint *
* future update available for 02/2008



Recording

Standard 14 h recording capacity, one information per seconde.

Possibility to set the recording rate and to get up to 140 recording capacity.

Recording can be realised :

- on manual user order : the user can begin and stop manually the record.

- automatically, being synchronized with the race timer and the chrono.

This setting allows to record only the racing periods and also to get as many records as run races. When downloaded to a PC, the records will be also easier to read.

Firmware & Software

Data assembly and transfert using 'NAUTEEKdownloader'.

Automatic detection of the SC100 via USB.

USB recorded data transfert @ 115,2 Kbps.

Data erase capacity from the system and also via the

'NAUTEEKdownloader'

Possibility to load waypoints into the SC100 using the future

'NAUTEEK manager'*

Bootloader : any user can upgrade its system by downloading the

new firmware version available on our website and by loading it

into its SC200 using the ' NAUTEEK upgrader'.

**future update before 02/2008*

Technical characteristics

Front face

polyester front face, coating against UV.

6 high sensitivity buttons user interface.

Transparent window, coating against sun reflection.

Display

Graphical LCD, 54x50 mm visible area.

Specific coating for a better contrast - Leds back-light.

Settings

Capacity to choose the data to display on the screen.

Capacity to choose the height of the data to display on the screen : 40mm / 25mm / 20mm / 15mm.

Capacity to set the default value of the race timer : from 1 to 10 minutes. Capacity to fix its value at any moment.

Capacity to synchronize records and race timer.

Capacity to set the recording rate : from 1 information recorded each 10 secondes up to 1 information per seconde.

Capacity to set the damping of the compass : from 1 to 10 secondes to erase the waves influence.

Capacity to set the damping of the speedo : from 1 to 10 secondes to erase the waves influence. 1 to 10 secondes.

Capacity to set the magnetic declination value to add it to the the compass information.

Capacity to set preferred screen with data in accordance with the 3 main period of a race :

-starting display.

-upwind display.

-downwind display.

Capacity of these preferred screen to change automatically because of the timer and the COG measurement.

Capacity to set the tactical data as the True Wind Direction and the tacking angle – 2 possible ways : manually or automatically using the procedure.

Capacity to set the 2 extremities of the start line.

Capacity to set the upwind buoy to get its VTD.

Connector

6 points IP67 male connector.

extra weather cap against sand and dust

GPS engine

Ultra sharp new generation, 12 channels

Low consumption : 94 mW - Integrated antenna.

High sensitivity : 152 dBm – Updated Data each seconde.

0,1 knots SOG resolution - 1° COG resolution - Quick start.

Mechanical and weather resistance characteristics

Tested waterproof ABS enclosure.

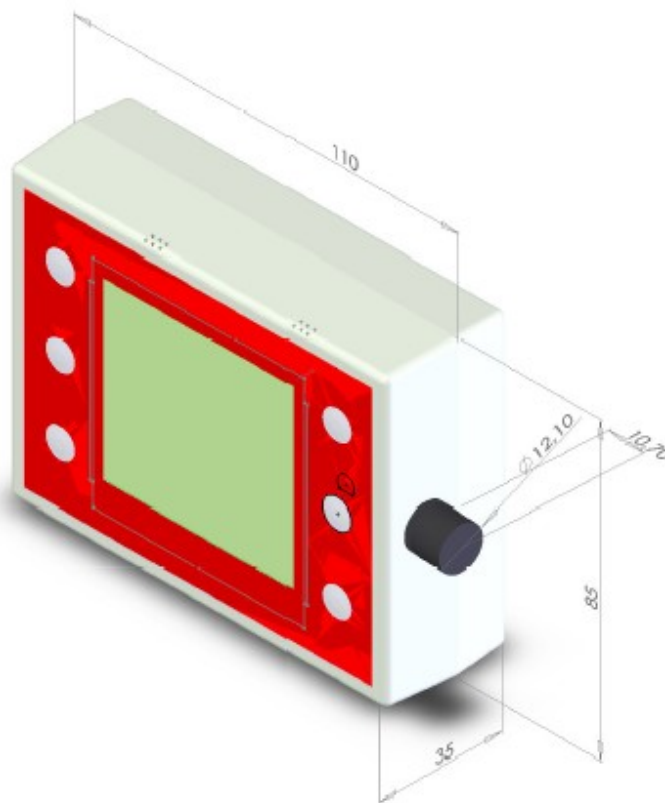
Tiny package (without connector): 110mm x 85mm x 35mm.

Extra light : 210g.

Operating temperature range : - 20°C to +60°C.

Battery recharging temperature range : 0°C to 40°C.

Fixing : with dual lock 3M scratch on any flat surface, mast bracket and cat pole.



Accessories included with each SC200

1 protection travel bag.

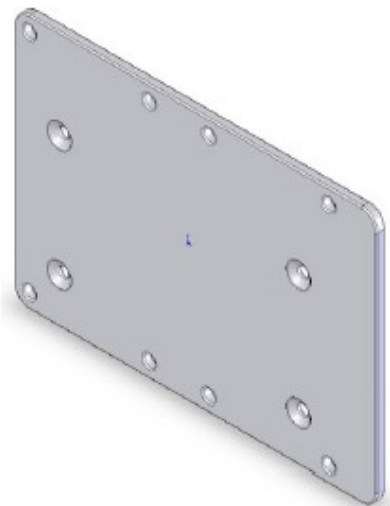
1 power adapter 5V 1,2 A , euro input plug 220 VAC, specific output connector to fit with SC200.

1 USB cable + 1 installation software to transfer the recorded data to a PC.

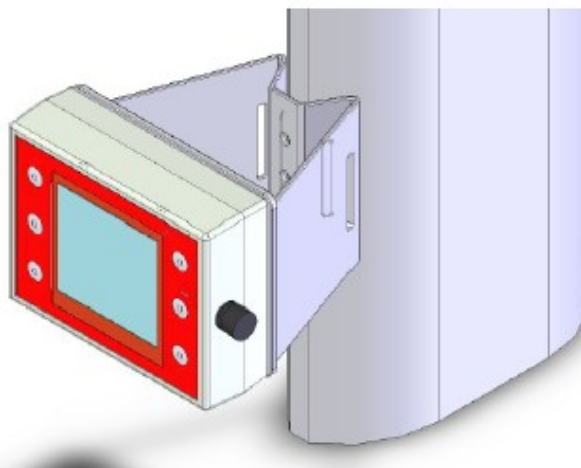
2 pieces of 3M dual lock scratch to fix the system to any flat surfaces... Dim 25mm x 50mm

Extra accessories, delivered upon request.

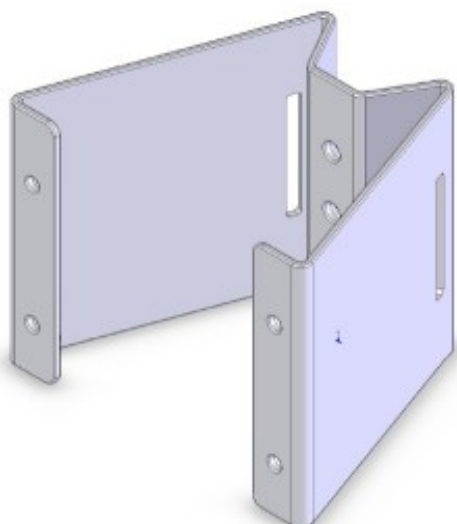
1 fixing cradle



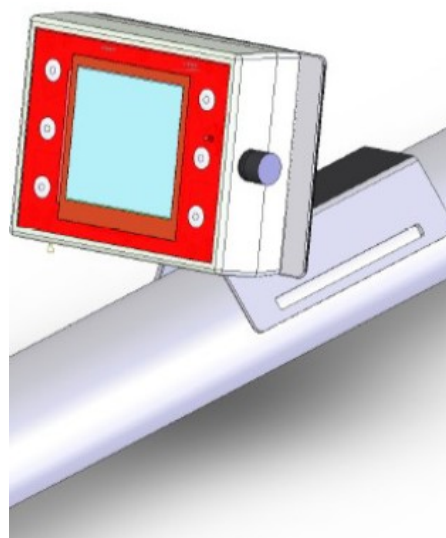
SC100 fixed on its mast bracket



1 mast bracket for keelboats and cruisers



SC200 fixed on its cat pole bracket

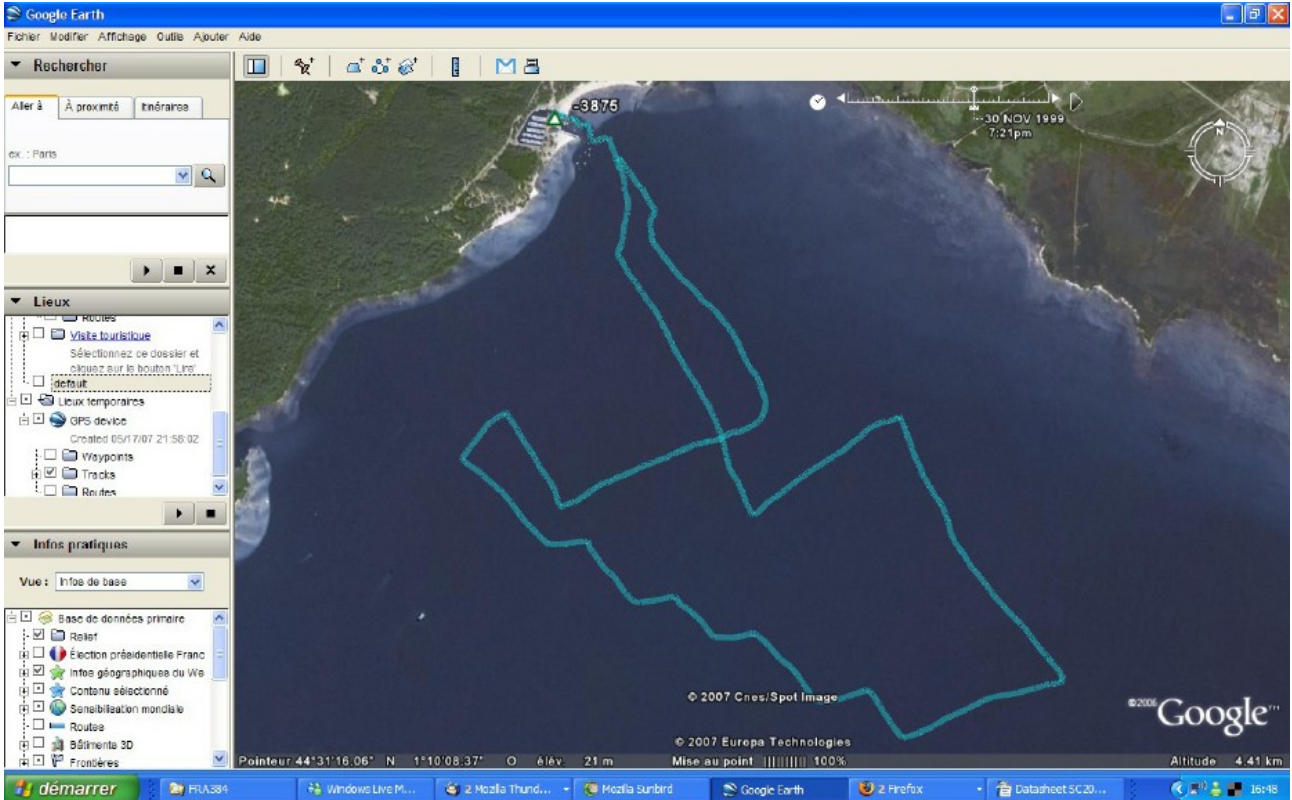


1 cat pole bracket for sport catamarans



Samples of files recorded by a SC200 and downloaded from its memory to a PC

sample of file, GoogleEarth interface



Sample of file, free GPS Action Replay interface

